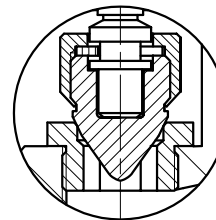
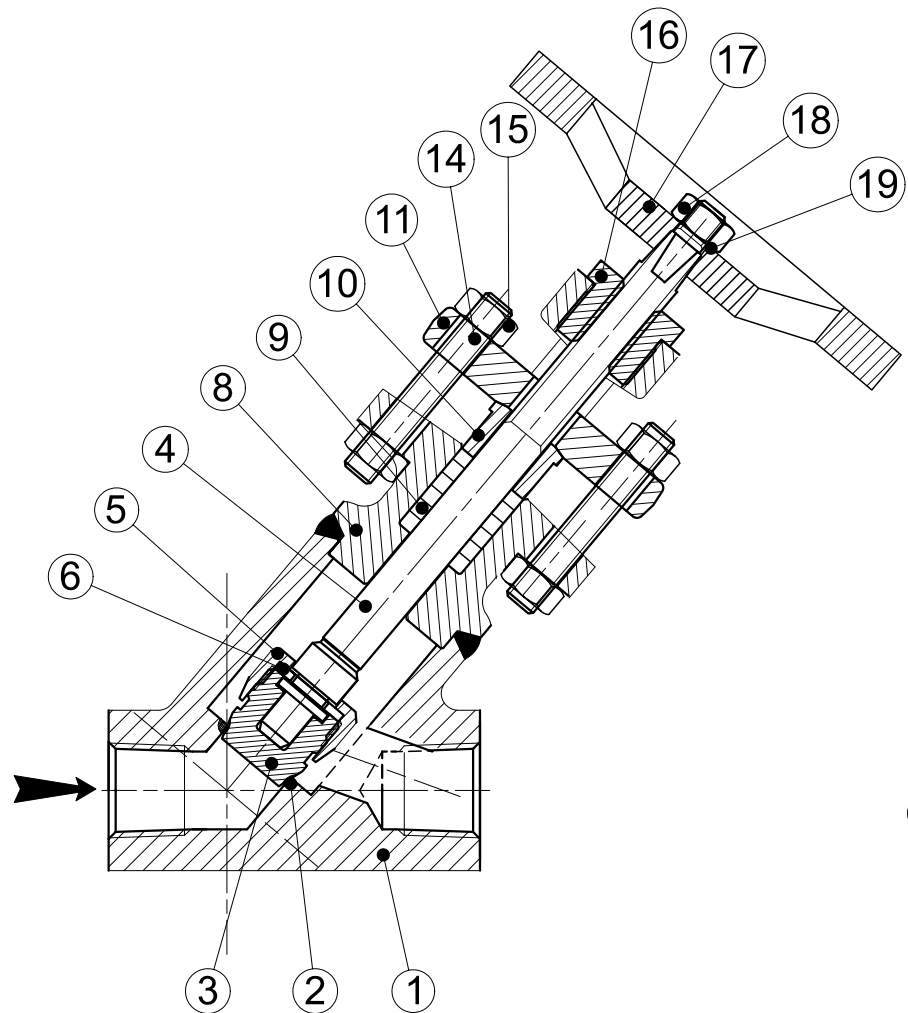


# GLOBE VALVE

## ROBINET FORGÉ À SOUPAPE TÊTE INCLINÉE Y PATTERN FORGED GLOBE VALVE



CLAPET POINTEAU (EN OPTION)  
NEEDLE DISC (OPTION)

### SERIE / CLASS

150 - 300 - 600 - 800 - 900 - 1500 - 2500

### ENDS

BW - NPT - SW - HUB - BRIDE / FLANGE  
FF - RF - RTJ

### COMPONENT PARTS

Rep.	DESIGNATION
1	CORPS/BODY
2	SIEGE/SEAT
3	CLAPET/DISC
4	TIGE/STEM
5	ECROU DE CLAPET/DISC NUT
6	VERROU DE CLAPET/LOCKNUT WASHER
8	CHAPEAU/BONNET
9	GARNITURE D'ETANCHEITE/PACKING
10	FOULOIR/GLAND
11	BRIDE DE FOULOIR/GLAND FLANGE
14	TIRANT/GLAND FLANGE STUD
15	ECROU DE TIRANT/GLAND FLANGE NUT
16	DOUILLE/BUSHING
17	VOLANT/HANDWHEEL
18	ECROU DE VOLANT/HANDWHEEL NUT
19	PLAQUE D'IDENTIFICATION/NAME PLATE

Matériel conforme à NF M87.412-BS5352  
Material in acc. with BS 5352 - NF M87.412